



GRAND LIGHTING™

EL150 IP65 LED LINE PROJECTOR

Enhance workplace safety in factories and warehouses with the EL150 LED Line Projector.

Specifically engineered for industrial environments, this projector clearly marks safe walkways and exclusion zones, offering a durable and highly visible alternative to traditional painted lines.

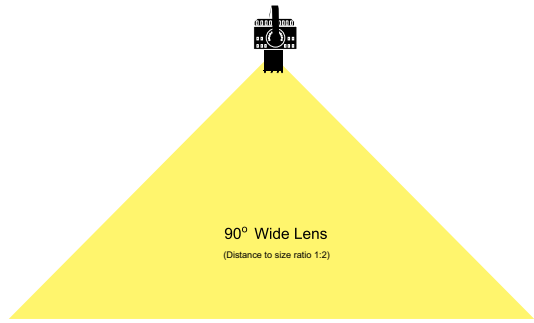
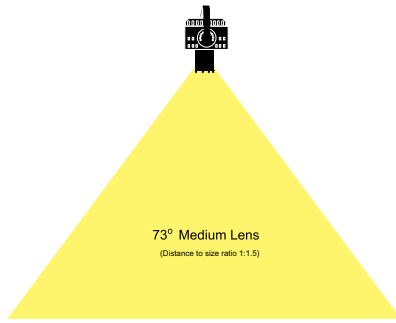
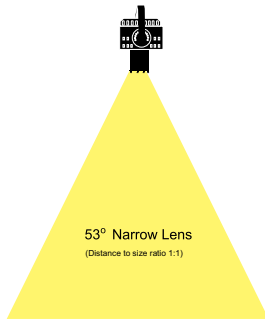
For a comprehensive safety solution, combine it with a stop



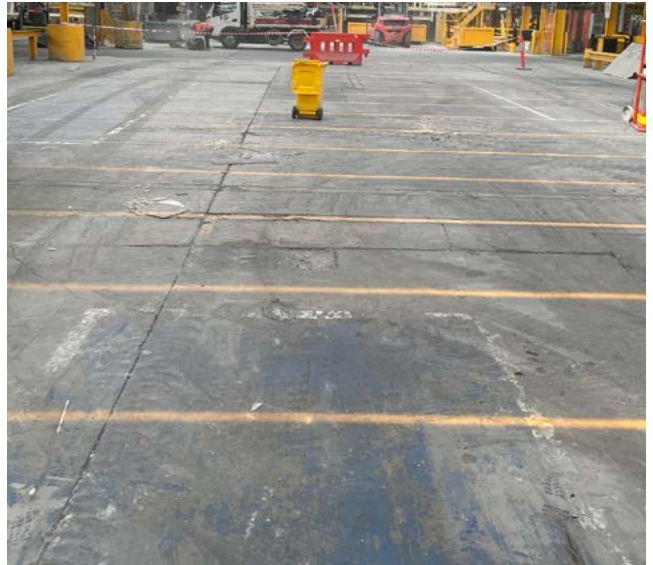
FEATURES

- IP65 rated suitable for indoor and outdoor use
- Fanless design - No moving parts or motors
- Designed for 10m to 15m (depending on ambient light levels)
- 3 lens options available (53deg | 73deg | 90deg)
- 3 line colour options: Yellow | Green | Red
- 100mm average line thickness
- No maintenance required, simply mount, position and run power
- LED lifetime approx 50,000 hours (**figure obtained under manufacturer test conditions*)
- Built in power supply IP65 Meanwell HLG-150H-42A/B
- Power Supply Input Voltage: 100-240V AC
- Supplied with Australian standard 3 pin plug 240V AC
- For commercial use only

PHOTOMETRICS

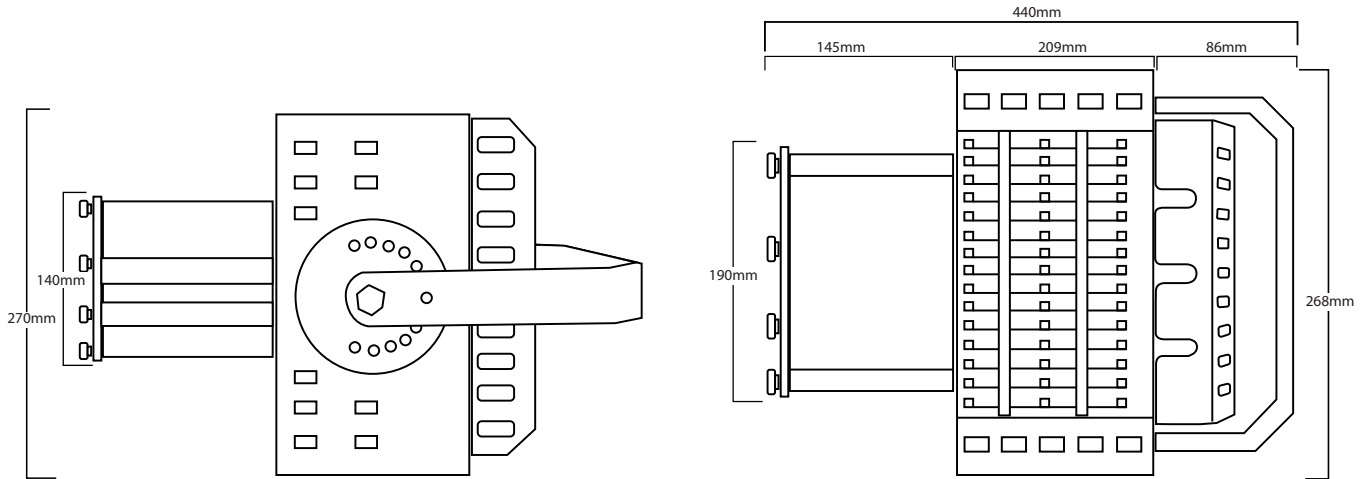


FIXTURE IN USE



PHYSICAL DIMENSIONS

- Length: 440mm
- Width: 268mm
- Body Height: 270mm
- Weight: 8.2kg



The unit comes with one shutter blade to limit the line length where necessary. Mount the shutter on one side. It won't matter which side because the base mounting plate rotates 360deg to position as required.

