

## GRAND LIGHTING™

### M20EZ DOWNLIGHT LED GOBO PROJECTOR

The M20 Downlight EZ LED Gobo Projector is designed for recessed ceiling installation, with the front lens extending outside the mounting.

This semi-recessed design is ideal for limited ceiling cavity space and allows for easy access to change the gobo.

Featuring a powerful high-quality driver, and an exceptional optical system which delivers a crisp and vivid image with a flat field, ensuring crystal-clear projection to the edge.

#### FEATURES

- Designed for recessed installation
- High quality optical system for sharp image quality
- Simple focusing after install
- Available in either black or silver anodised. White enamel front fascia available on request.
- Standard Medium Lens
- Passive rear fin cooling
- 22W 50,000hr LED
- Cool white LED as standard. Warm white available on request.
- 24 month warranty
- DALI control available

## PHOTOMETRICS

|                         | M20 STANDARD LENS |      |      |      |      |      |      |
|-------------------------|-------------------|------|------|------|------|------|------|
| Projection Diameter (m) | 0.79              | 0.98 | 1.18 | 1.38 | 1.57 | 1.77 | 1.97 |
| Luminance (lux)         | 2280              | 1459 | 1013 | 744  | 570  | 450  | 365  |
| Projection Distance (m) | 2.0               | 2.5m | 3.0  | 3.5  | 4.0  | 4.5  | 5.0  |

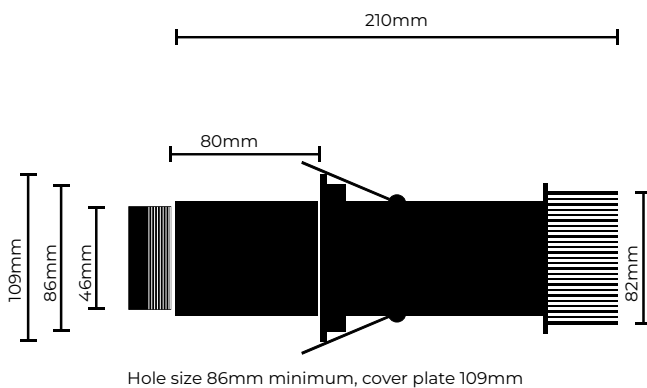
*Lux values indicated are not peak values, which may be brighter. We give average lux readings taken under actual tests.*

## PHYSICAL DIMENSIONS

- Length (excluding lens): 210mm
- Width: 109mm
- Weight: 500g (with powersupply)

*Minimum hole size for cutout is 86mm, while the coverplate is 109mm, so keep your hole size well within this.*

*Please refer to manual for installation instructions and clearance requirements.*



## ELECTRICAL SPECIFICATIONS

- Power Supply Input Voltage: 220-240V AC
- Average Power Consumption: 22 Watts
- Australian standard 3 pin plug 240V AC
- The Grand Lighting M20EZ Downlight is supplied and matched with a driver meeting all Australian regulatory requirements for non IC rated commercial installations.

## GOBOS

- Outside diameter: 37.5mm (+0/-0.3mm)
- Maximum image diameter: 28mm (for flat field crisp projection eg logos)
- Maximum thickness: up to 5.0mm

## OPTICS

- Light Source: 22W LED Capsule
- Cool white 7000k as standard (warm white 3000k available on request)
- LED Lifetime: 50,000 hours\*  
\* figure obtained under manufacture's test conditions

## SAFETY INFORMATION

**WARNING – This Luminaire is not suitable for installation in locations where thermal insulation is present, or may be reasonably expected to be installed in the future, or where this is a likelihood of other combustible material, e.g. leaves or vermin debris, etc. collecting on or around the luminaire.**

**It is not suitable for domestic installations or installation in residential areas of non-domestic installations (residential institutions, hotels, boarding houses, hospitals, accomodations houses, motels, hostels and the like).**

**Risk of Fire or overheating if the clearance distances are compromised.**