



GRAND LIGHTING™

GL10C4 Downlight LED Projector

Combining a high quality LED, high quality driver and a great quality optical system makes this a downlight perfect for your permanent installation.

The high quality optical system produces a crisp vivid gobo image and the flat field gives you a crystal clear projection right to the edge. Designed to be ceiling mounted the GL10C4 has various lens options available to suit your install.



Grand Lighting GL10C4 Downlight with custom B&W Glass Gobos

FEATURES

- A high quality, narrow beam projector for downlight signage
- High resolution optical system, simple focusing after install
- Available in black or white
- Standard Lens Available:
 - Medium Beam
 - Wide Beam
- Passive rear fin cooling
- 10W 30,000 hr LED
- 37.5mm gobo size
- 12 month warranty
- 220-240VAC 300mA Constant Current driver as standard (110V driver available on request)
- Cool white LED as standard. Warm white available.
- Dimmable

DIMENSIONS / SPECIFICATIONS

- Power Supply Input Voltage: 220-240V AC (110V on request)
- Power Supply Output approximately 37V DC
- Average Power Consumption: 10Watts
- Requires 71mm hole
- 85mm coverplate supplied
- Length: 150mm - 170mm
- Weight: Up to 600g with powersupply (not including cable weight)

Unit is supplied with a constant current inverter and powerplug, and is designed for commercial use only.

Please note that inverter and downlight will require ventilation to avoid overheating.

Do not cover with insulation or other materials.

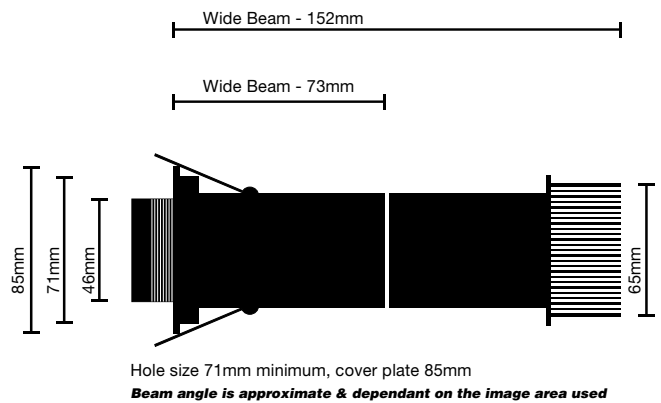
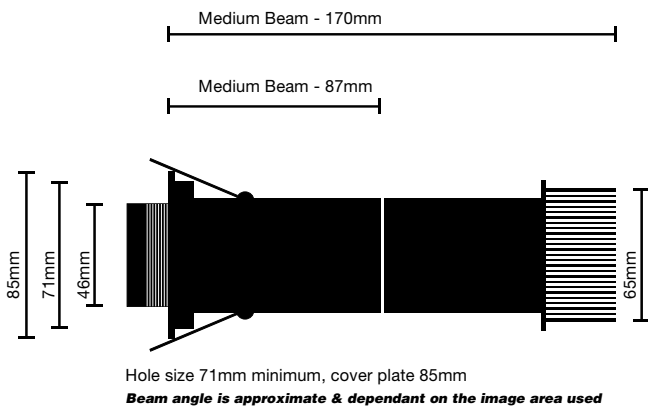
Installation to be done by a suitably qualified person.

PHOTOMETRICS

	GL10C4 Downlight		MEDIUM BEAM	
Projection Diameter (m)	0.71m	1.06m	1.41m	1.76m
Luminance (lux)	1224 lux	544 lux	306 lux	196 lux
Projection Distance (m)	2m	3m	4m	5m

	GL10C4 Downlight		WIDE LENS	
Projection Diameter (m)	0.95m	1.42m	1.9m	2.37m
Luminance (lux)	980 lux	436 lux	245 lux	157 lux
Projection Distance (m)	2m	3m	4m	5m

PHYSICAL DIMENSIONS



INSTALLATION GUIDE

Before you commence installation, plug the unit into power to check where the best location is for projection. Once the position is established cut a 71mm hole (no more than 85mm wide) or the cover plate will not cover the hole. If you do happen to cut the hole too large or you are replacing another downlight simply source a new cover plate to cover the gap.

Fold back the spring clips to push unit up through your hole. To focus simply rotate the front lens until you achieve good focus

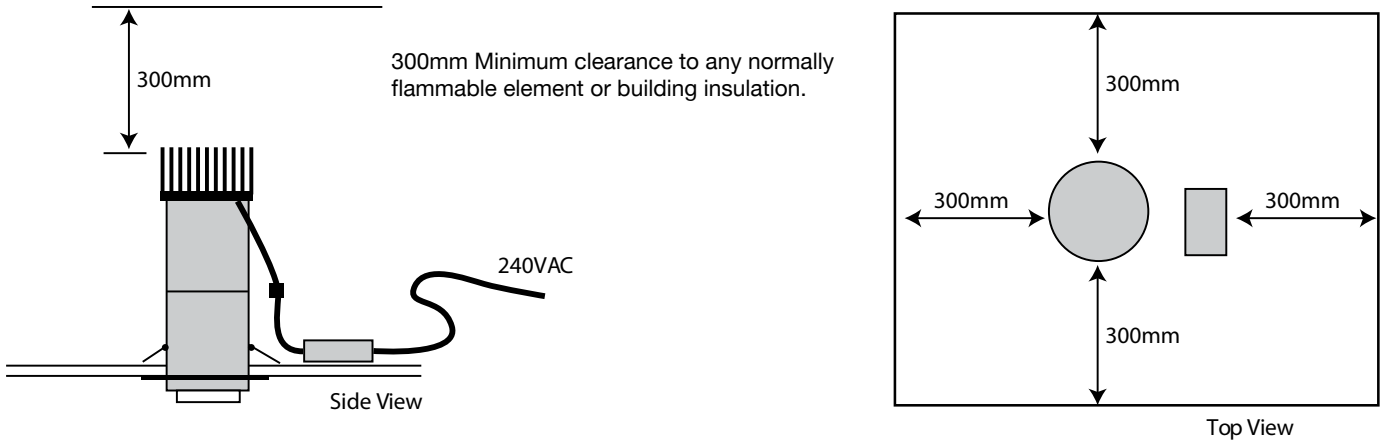
Do not cover the heatsink or driver with anything as they will need free airflow

Project straight down or angle your projection up to 15 degrees in any direction



INSTALLATION GUIDE CONTINUED..

Non-IC Rated - Use only with specified approved driver for the supplied model.



Non-IC Rated Driver, Non IC-Rated luminaire. To be installed by a licenced electrician to the relevant standard. Commercial non residential use only.

WARNING – THIS LUMINAIRE IS NOT SUITABLE FOR INSTALLATION IN LOCATIONS WHERE THERMAL INSULATION IS PRESENT, OR MAY BE REASONABLY EXPECTED TO BE INSTALLED IN THE FUTURE, OR WHERE THERE IS A LIKELYHOOD OF OTHER COMBUSTIBLE MATERIAL, E.G. LEAVES OR VERMIN DEBRIS, ETC. COLLECTING ON OR AROUND THE LUMINAIRE. IT IS NOT SUITABLE FOR DOMESTIC INSATLLATIONS OR INSTALLATION IN RESIDENTIAL AREAS OF NON-DOMESTIC INSTALLATIONS. (RESIDENTIAL INSTITUTIONS, HOTELS, BOARDING HOUSES, HSOPITALS, ACCOMODATION HOUSES, MOTELS, HOSTELS AND THE LIKE).

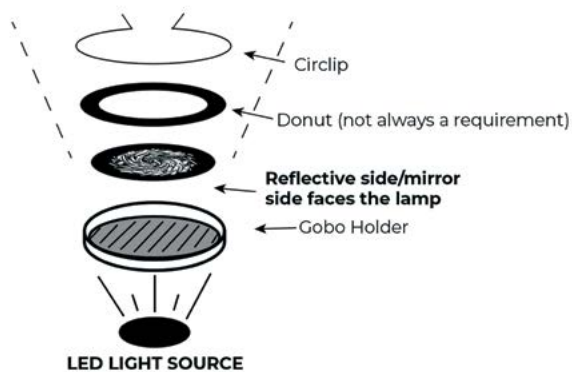
CHANGING THE GOBO

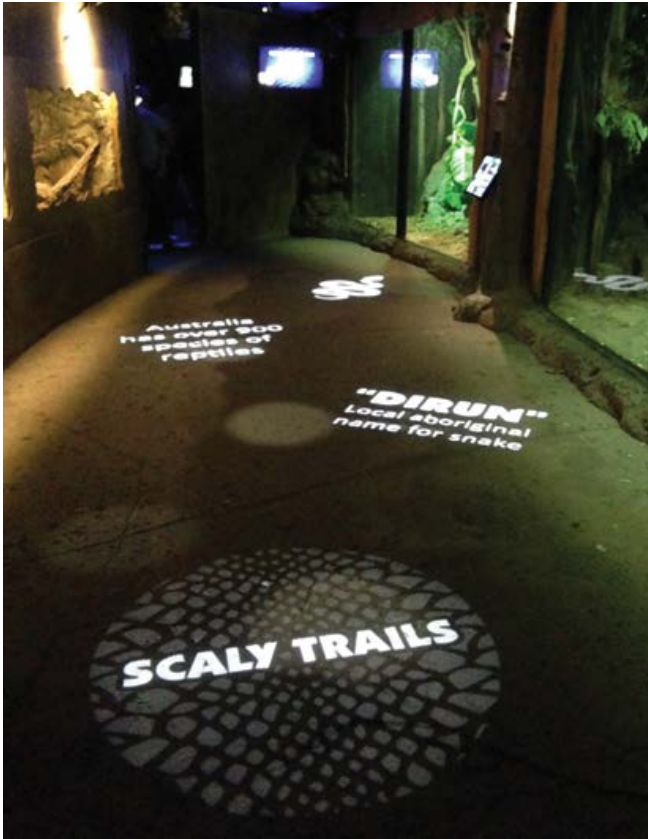
The gobo is situated roughly half way along the body as shown. To change the gobo you hold the back and the front of the unit and unscrew it where the arrow shows.

Do not unscrew the rear heatsink by mistake.

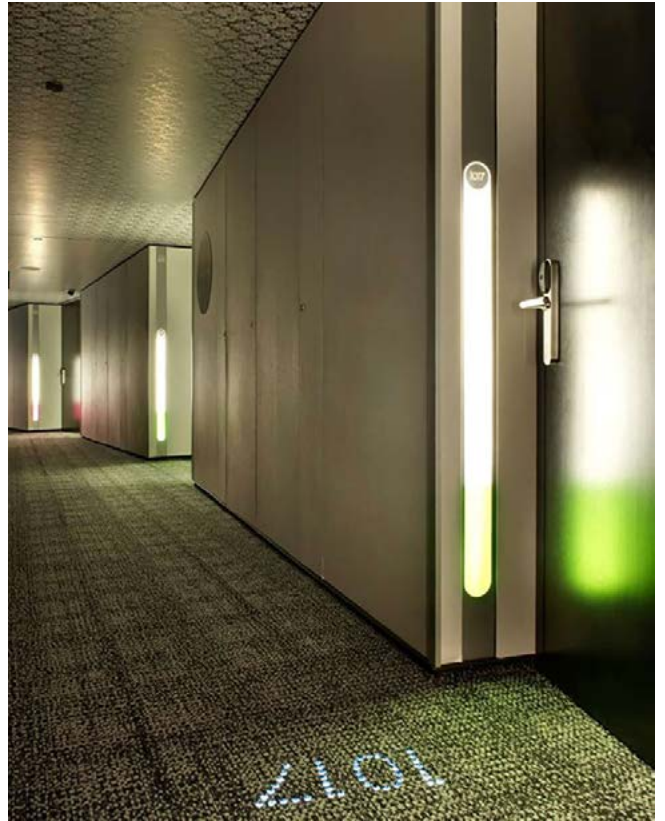
Inside the unit the gobo is held in place with a spring circlip. Replace the gobo with the reflective side of your gobo facing the lightsource.

The reflective / mirror side must face the LED light source

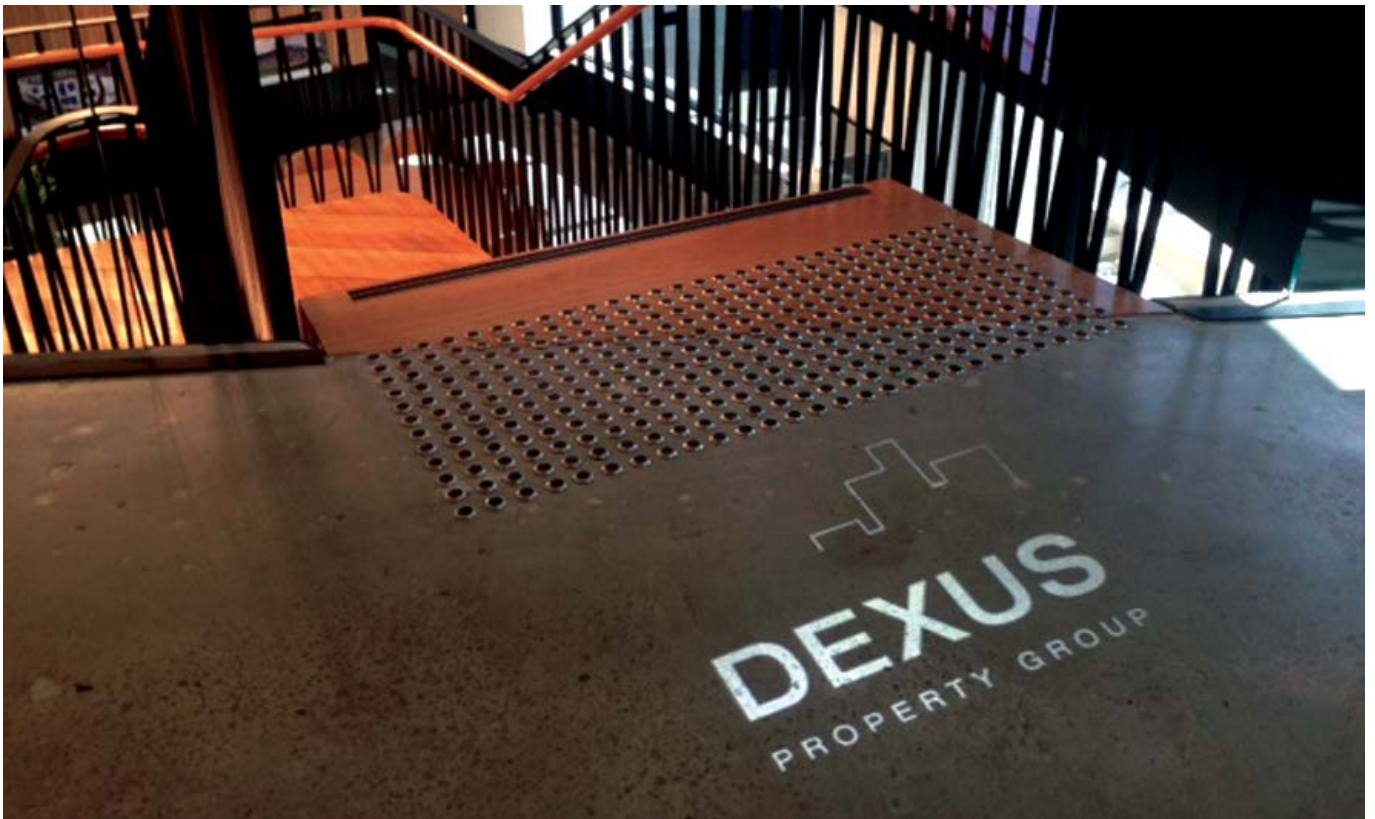




Grand Lighting GL10C4 Downlight with custom B&W Glass Gobos



Grand Lighting GL10C4 Downlight with Room Number Projection



Grand Lighting GL10C4 Downlight with 'Dexus Property Group' B&W Glass Gobo