

MIROSUNA



GRAND LIGHTING™

M20A SURFACE MOUNT LED GOBO PROJECTOR

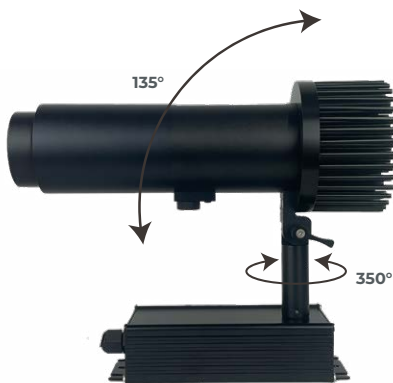
The M20A is a compact and lightweight LED gobo projector designed for both permanent indoor installations and portable use.

This projector boasts a high-quality optical system that produces crisp, vivid gobo images. The flat field ensures crystal clear projections right to the edge.

Additionally, the M20A features an external adjustment mechanism that allows for simple changes to the gobo orientation.

FEATURES

- High quality optical system for sharp image quality
- External adjustment feature for changing gobo orientation
- 350° rotation around vertical axis
- 135° around horizontal axis, using spring loaded adjustable locking arm
- 2 lens options - Medium and Wide (see photometric data)
- Available in black
- Passive rear fin cooling
- 22W 50,000hr LED
- Cool white LED as standard. Warm white available on request.
- 24 month warranty



PHOTOMETRICS

	M20 STANDARD LENS						
Projection Diameter (m)	0.79	0.98	1.18	1.38	1.57	1.77	1.97
Luminance (lux)	2280	1459	1013	744	570	450	365
Projection Distance (m)	2.0	2.5m	3.0	3.5	4.0	4.5	5.0

	M20 WIDE LENS						
Projection Diameter (m)	1.18	1.48	1.78	2.07	2.37	2.67	2.96
Luminance (lux)	1200	768	533	392	300	237	192
Projection Distance (m)	2.0	2.5m	3.0	3.5	4.0	4.5	5.0

*Lux values indicated are not peak values, which may be brighter.
We give average lux readings taken under actual tests.*

PHYSICAL DIMENSIONS

- Length (excluding lens): 220mm
- Height: 190mm
- Weight: 1kg



ELECTRICAL SPECIFICATIONS

- Power Supply Input Voltage: 220-240V AC
- Average Power Consumption: 25 Watts
- Australian standard 3 pin plug 240V AC

GOBOS

- Outside diameter: 37.5mm (+0/-0.3mm)
- Maximum image diameter: 28mm (for flat field crisp projection eg logos)
- Maximum thickness: up to 5.0mm

OPTICS

- Light Source: 22W LED Capsule
- Cool white 7000k as standard (warm white 3000k available on request)
- LED Lifetime: 50,000 hours*
*figure obtained under manufacture's test conditions